

# THE ULTIMATE OUTBOARD

# VERADO®

It's not surprising that the most sophisticated outboard on the water – **the FourStroke Mercury Marine Verado** – delivers an incredible engineered driving experience. Supercharged power. Digital Throttle & Shift (DTS). True Power Steering. Class-leading performance and economy. Minimized noise and vibration. **Verado is the ultimate outboard.**

## Driving experience

Digital Throttle & Shift provides **smooth, instantaneous, predictable and quiet shifting**, as well as ultra-responsive throttle control, while true Power Steering (standard on six-cylinder models) delivers precision steering without undesirable steering torque.

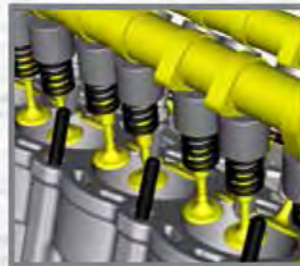


## Efficient

Verado delivers **best-in-class fuel economy.**

## Corrosion protection

Low-copper alloy, the MercFusion Paint Process and Salt Shield combine to provide the **best corrosion protection in the industry** – regardless of water conditions.



## Low cost of ownership

The Verado valve train is **maintenance-free for the life of the engine.**





Globally, steps taken by Mercury Marine in the past three years have resulted in total annual savings of about 284 billion BTUs, enough to power about 7,000 homes, or a town the approximate size of Dodge City, Kansas.

# THE ULTIMATE OUTBOARD

## VERADO® Technology



### Shadow Mode

Mercury "shadow technology" eliminates the hassle of grappling with multiple engine levers when running with triple or quadruple outboards. Shadow mode controls up to four engines with just two levers from as many as two helm stations.



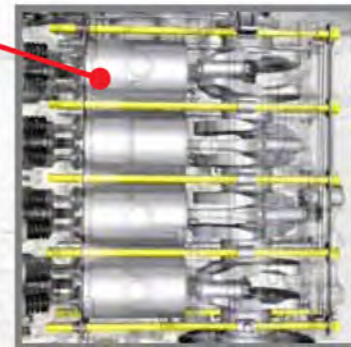
### Smoothest, quietest

The inherently balanced **in-line six-cylinder** engine, in 225 - 300hp models, and our **Advanced Mid Section (AMS) with perimeter mounts** virtually eliminate vibration in the boat.



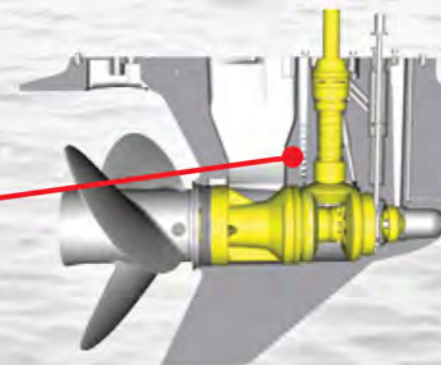
### Power

The instant boost of an intercooled supercharged system **delivers tremendous hole shot, unrivaled mid-range punch and excellent top speed.**



### World class

Our long-bolt design anchors the block and cylinder head to the bedplate and **eliminates the effects of expansion and contraction.** An exclusive oil cooler maintains optimal oil temperature to extend the life of the engine.



### Geared right

The ultra-robust 5.44-inch-diameter gearcase is built for tall seas provides extra lift for longer center consoles and walkarounds.



World-class protection comes standard



**MERCURY**